

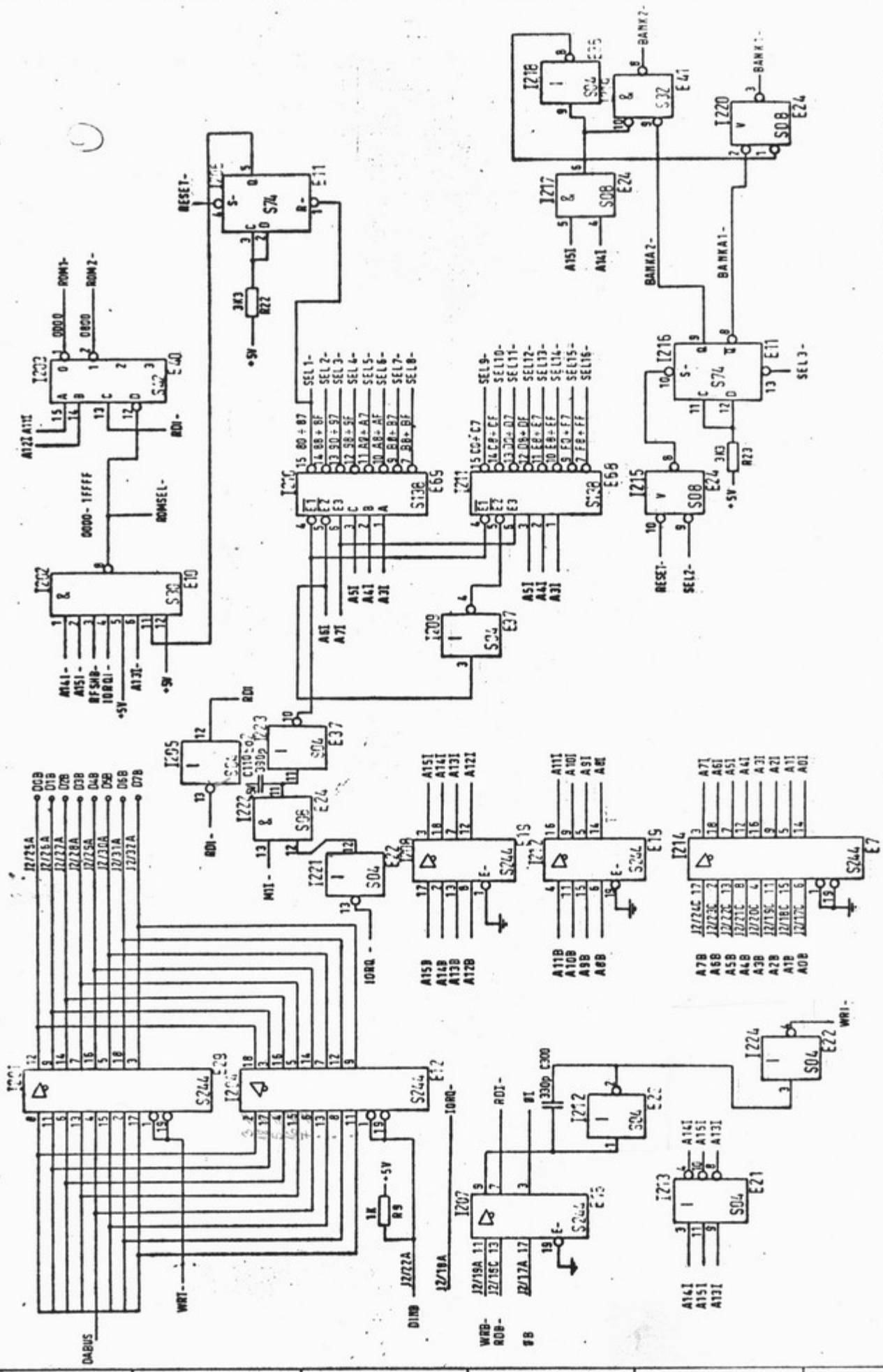
PARTNER CPU

Label	U. number	U. type	U. value
1			
2			
3			
4			
5			
6			
7			
8			
9			
10			
11			
12			
13			
14			
15			
16			
17			
18			
19			
20			
21			
22			
23			
24			
25			
26			
27			
28			
29			
30			
31			
32			
33			
34			
35			
36			
37			
38			
39			
40			
41			
42			
43			
44			
45			
46			
47			
48			
49			
50			
51			
52			
53			
54			
55			
56			
57			
58			
59			
60			
61			
62			
63			
64			
65			
66			
67			
68			
69			
70			
71			
72			
73			
74			
75			
76			
77			
78			
79			
80			
81			
82			
83			
84			
85			
86			
87			
88			
89			
90			
91			
92			
93			
94			
95			
96			
97			
98			
99			
100			

Iskra Delta
 Elektronische Industrie AG
 1000 Ljubljana, Yugoslavia

310791602 L

SH = Shottky
 S-LS



PARTNER CPU

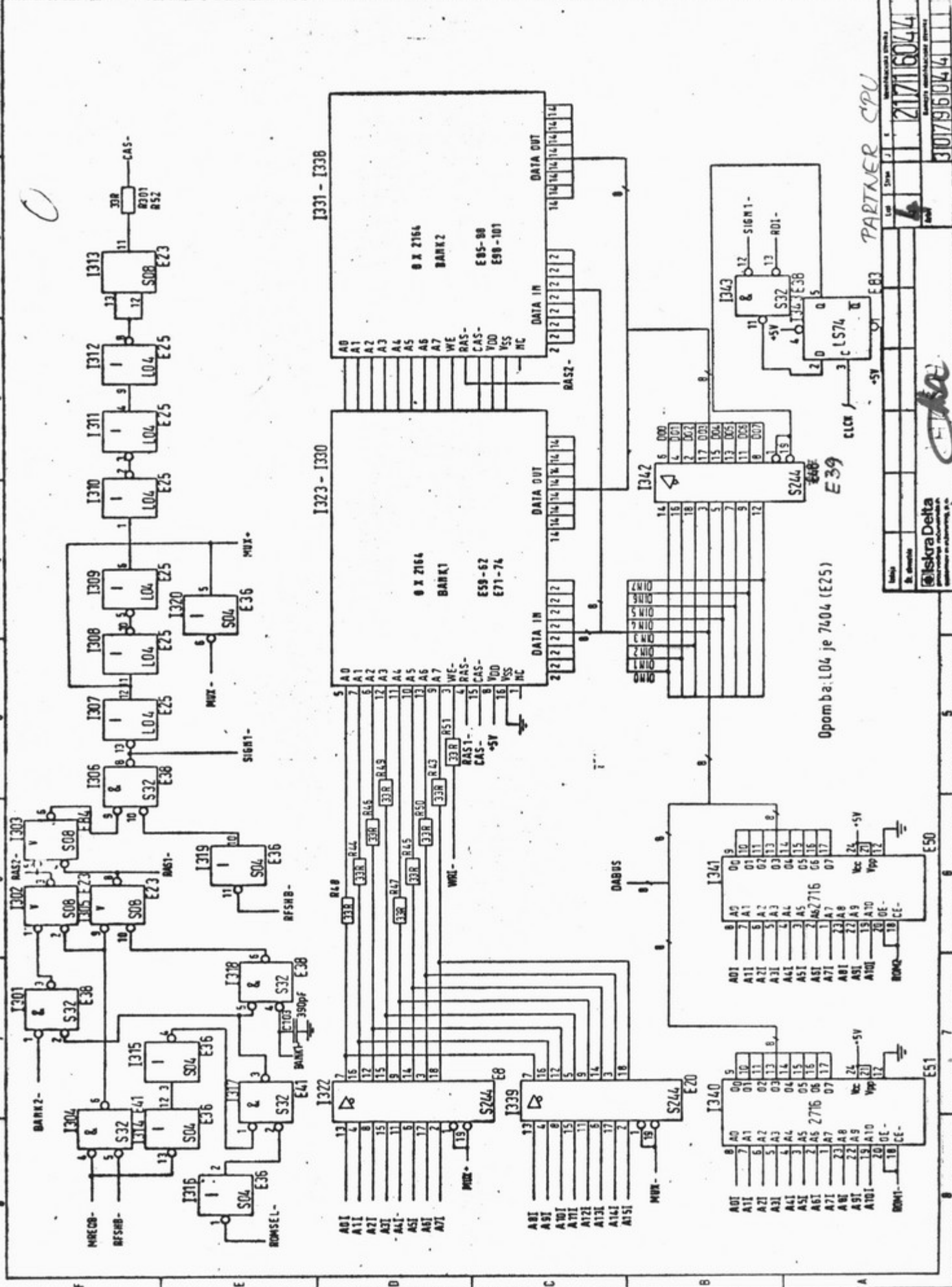
Model	3
Part No.	21716044
Rev.	
Quantity	
Manufacturer	
Production Date	
Lot No.	
Serial No.	
Tester	
Checked	
Approved	
Signature	<i>[Signature]</i>



Iskra Delta
Produktions- und Entwicklungs-Gesellschaft
Kombinat Elektronische Industrie

Model	3
Part No.	21716044
Rev.	
Quantity	
Manufacturer	
Production Date	
Lot No.	
Serial No.	
Tester	
Checked	
Approved	
Signature	<i>[Signature]</i>

31079161044

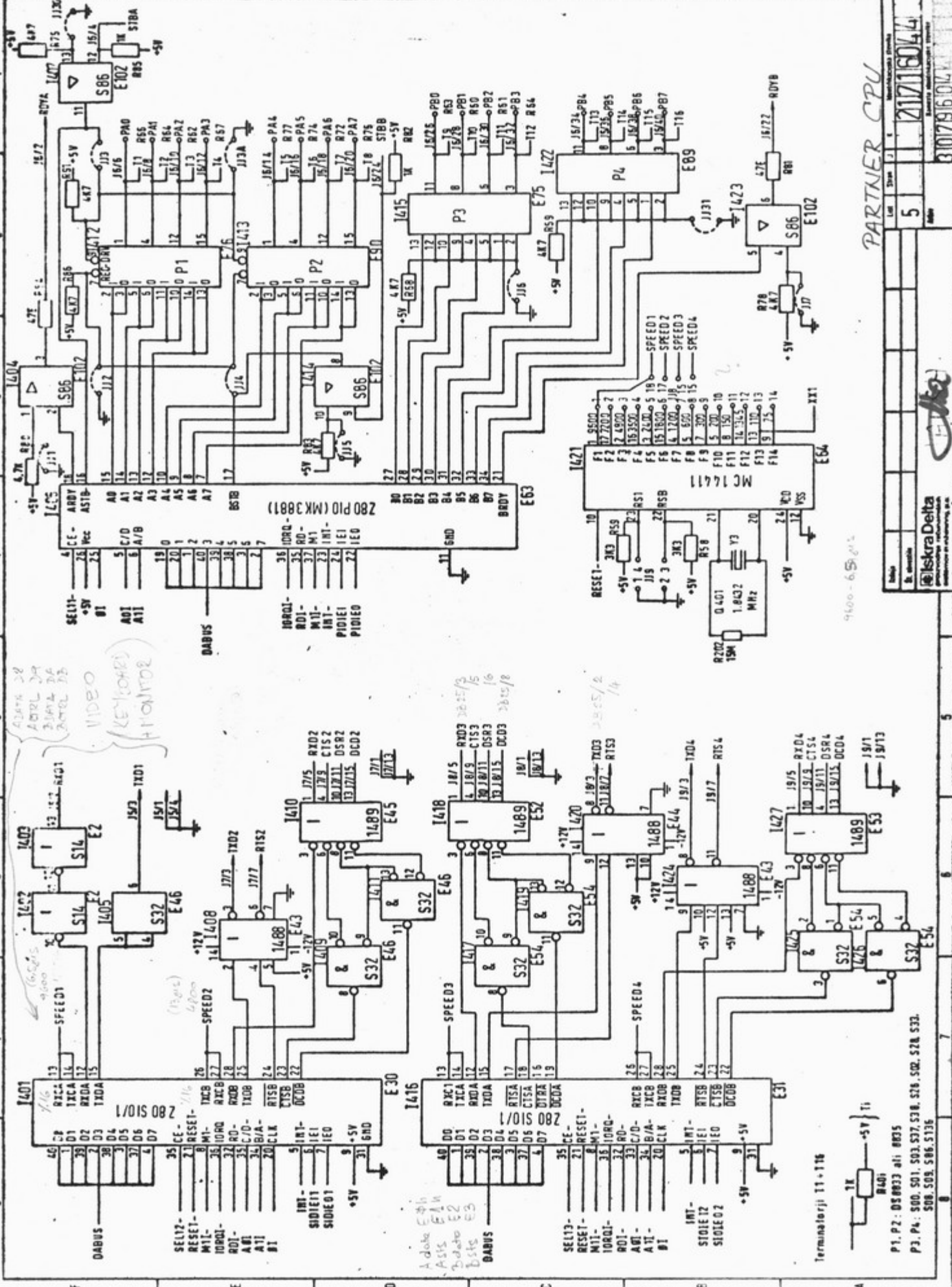


Opomba: L04 je 7404 (E25)

PARTNER CPU

Model	21716044
Revizija	1
Datum	31079161044
Projektant	
Preverilnik	
Skicist	

Iskra Delta
Elektronika d.o.o.
Ljubljana, Slovenija



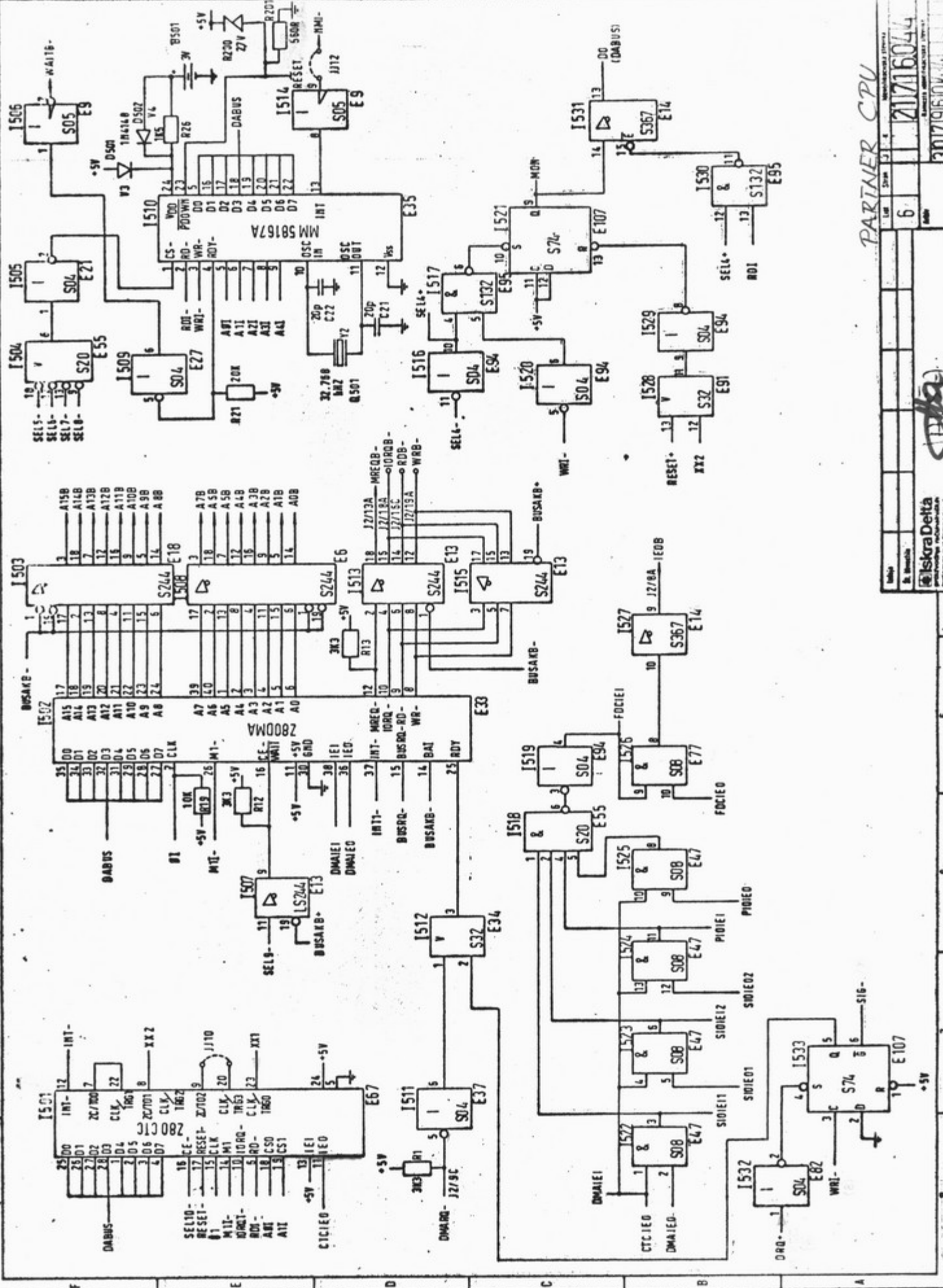
PARTNER CPU

Model	10171916104
Serial No.	10171916104
Lot No.	5
Rev.	1
Manufacturer	Iskra Delta

9400-6,5 g. 1/4

Terminatori 11+116

P1, P2: DS0823 ali 0823
P3, P4: 500, 501, 503, 507, 538, 578, 502, 528, 533, 508, 505, 586, 5736



PARTNER CPU

21716044

3017916104-14

6

MM

1

2

3

4

5

6

7

8

9

10

11

12

13

14

15

16

17

18

19

20

21

22

23

24

25

26

27

28

29

30

31

32

33

34

35

36

37

38

39

40

41

42

43

44

45

46

47

48

49

50

51

52

53

54

55

56

57

58

59

60

61

62

63

64

65

66

67

68

69

70

71

72

73

74

75

76

77

78

79

80

81

82

83

84

85

86

87

88

89

90

91

92

93

94

95

96

97

98

99

100

101

102

103

104

105

106

107

108

109

110

111

112

113

114

115

116

117

118

119

120

121

122

123

124

125

126

127

128

129

130

131

132

133

134

135

136

137

138

139

140

141

142

143

144

145

146

147

148

149

150

151

152

153

154

155

156

157

158

159

160

161

162

163

164

165

166

167

168

169

170

171

172

173

174

175

176

177

178

179

180

181

182

183

184

185

186

187

188

189

190

191

192

193

194

195

196

197

198

199

200

201

202

203

204

205

206

207

208

209

210

211

212

213

214

215

216

217

218

219

220

221

222

223

224

225

226

227

228

229

230

231

232

233

234

235

236

237

238

239

240

241

242

243

244

245

246

247

248

249

250

251

252

253

254

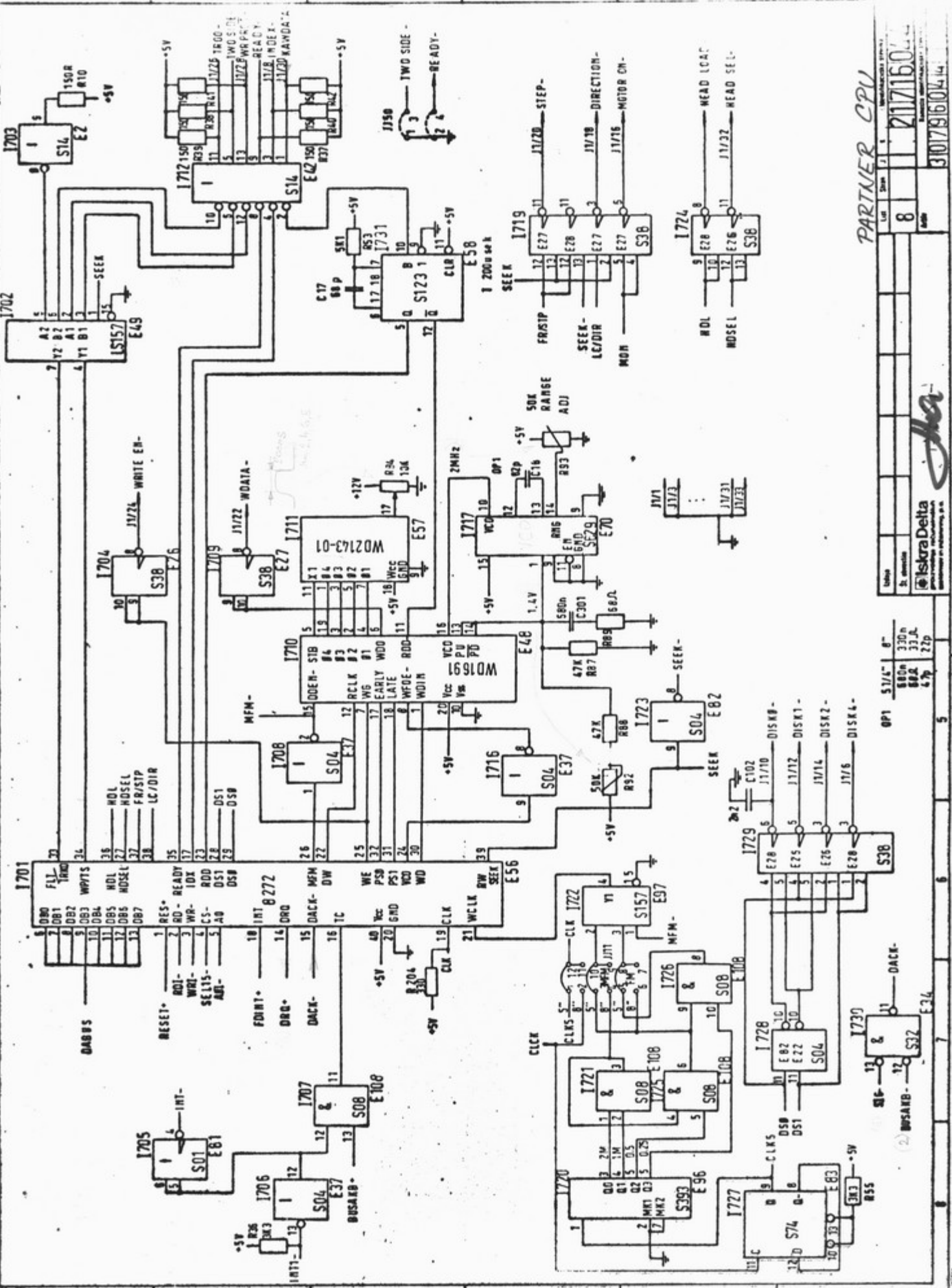
255

256

257

258

259



PARTNER CPU

Rev	1	2	3	4	5	6	7	8
Date								
By								
Checked								
Approved								
Part No.	217160							
Quantity	3107916104							



Iskra Delta
produzione elettronica
Sviluppatori e produttori, s.p.a.

OP1	5V1/4"	8"
	880h	330h
	672	33JA
	472	22D

OP1	5V1/4"	8"
	880h	330h
	672	33JA
	472	22D

J1--za 5 1/4" FD

Bus C

J2	A	GND	SIGNAL	NAME
1	GND	1	2	DISK3-
2	GND	3	4	INDEX-
3	-12V	5	6	DISK0-
4	+5V	7	8	DISK1-
5	+5V	9	10	DISK2-
6	+12V	11	12	MOTOR ON-
7		13	14	DIRECTION -
8	LED8	15	16	WDATA-
9	DMARQ-	17	18	STEP -
10		19	20	WRITE EN -
11		21	22	TROO-
12	MTB -	23	24	WR PROT -
13	NMI -	25	26	RAMDATA -
14	BUSRD-	27	28	HEAD SEL -
15	HALTB-	29	30	
16	ROB -	31	32	
17	A0B	33	34	
18	A1B			
19	A2B			
20	A3B			
21	A4B			
22	A5B			
23	A6B			
24	A7B			
25				HEAD LOAD
26				INDEX -
27				READY -
28				
29				DISK0 -
30				DISK1 -
31				DISK2 -
32				DISK3 -
33				DIRECTION -
34				STEP -
35				WDATA -
36				WRITE EN -
37				
38				TROO -
39				WR PROT -
40				RAMDATA -
41				
42				
43				
44				
45				
46				
47				
48				
49				
50				

J3 Reset

1	GND
2	RESIN
3	

J5 TTL--Video

1	GND
2	RXD1
3	TXD1
4	GND
5	

J6--2X paral. port.

GND	SIGNAL	NAME
1	2	ROYA
3	4	STBA
5	6	PA0
7	8	PA1
9	10	PA2
11	12	PA3
13	14	PA4
15	16	PA5
17	18	PA6
19	20	PA7
21	22	ROYB
23	24	STBB
25	26	PB0
27	28	PB1
29	30	PB2
31	32	PB3
33	34	PB4
35	36	PB5
37	38	PB6
39	40	PB7

Printer
asynch
asynch

GND	SIGNAL	NAME
1	2	GND
3	4	TXD2
5	6	RXD2
7	8	RIS2
9	10	CTS2
11	12	DSR2
13	14	GND
15	16	DCD2
17	18	
19	20	
21	22	
23	24	
25	26	

2,4,6,....26 NC.

J10

1,3	GND
5	-12V
2,4	+5V
6	+12V

PARTNER CPU

Lot	10	Rev	
Part No.	21716044	Rev	
Manufacturer	Iskra Delta	Rev	
Manufacturer	301796044	Rev	



Iskra Delta
Přemyslovská 10, Brno, Czech Republic
www.iskra.cz

sta

PARTNER CPU

